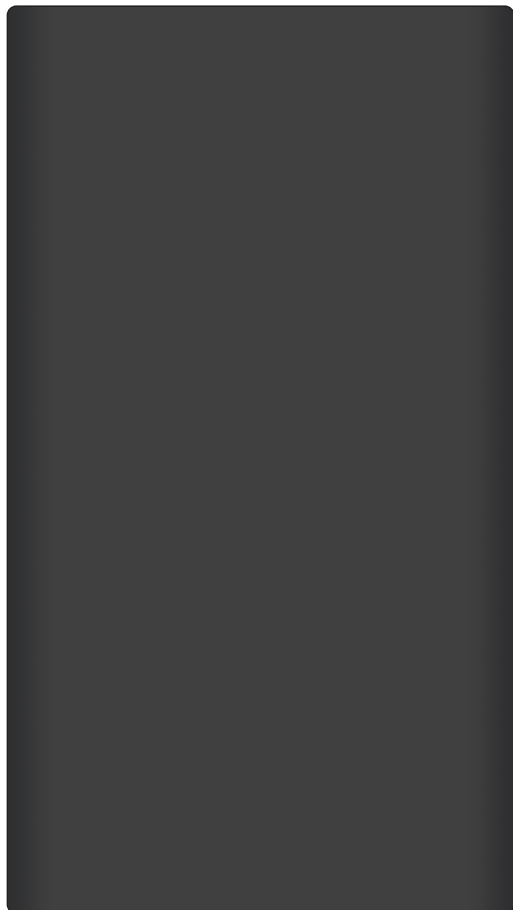
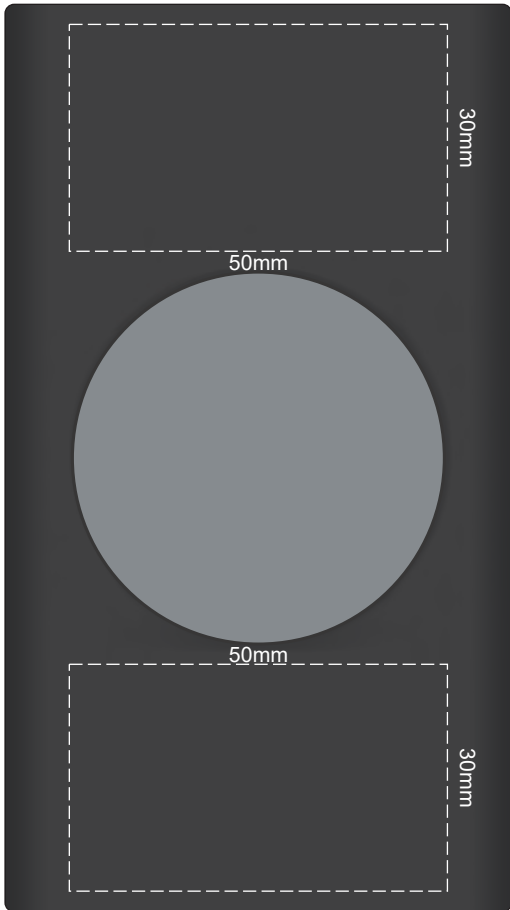


100% of Actual Size  
Pad Print



CHARGER  
INPUT ↓

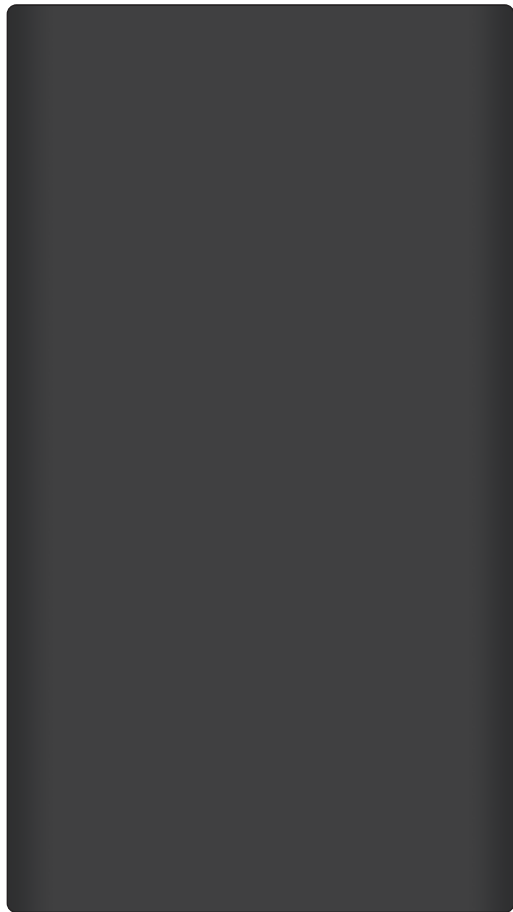
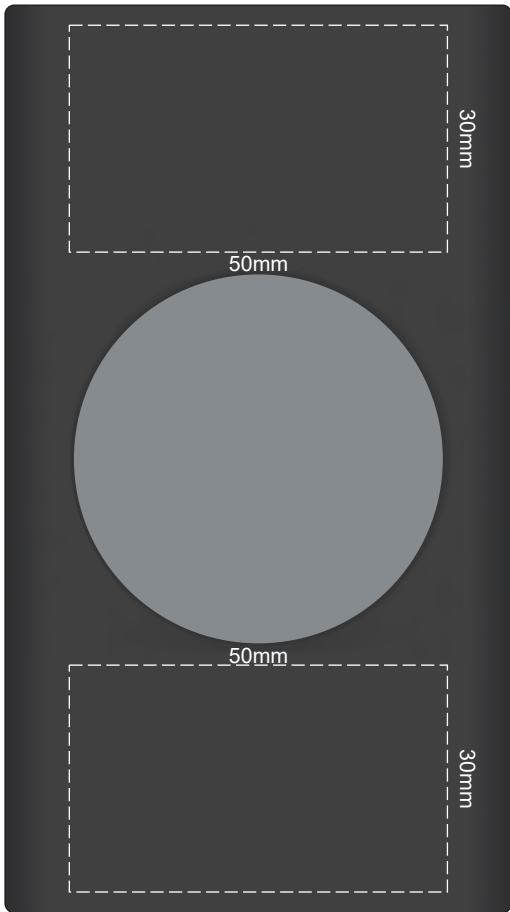


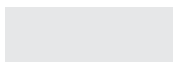
BACK  
*wireless function is not applicable*

100% of Actual Size  
Engraving  
Direct Digital



CHARGER  
INPUT ↓



 Engraves to an  
Oxidised White Finish

BACK  
*wireless function is not applicable*