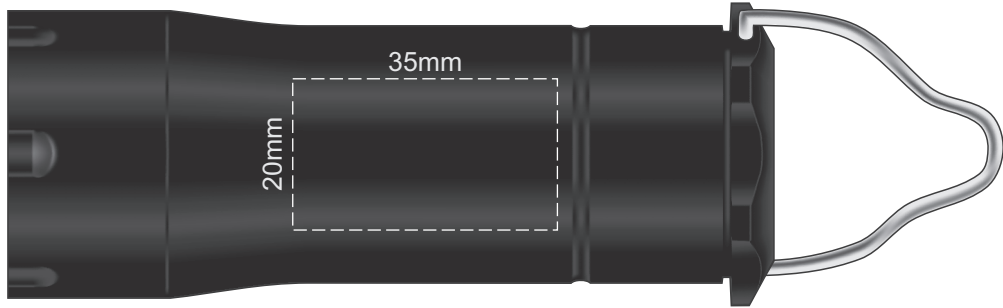
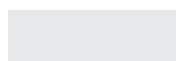
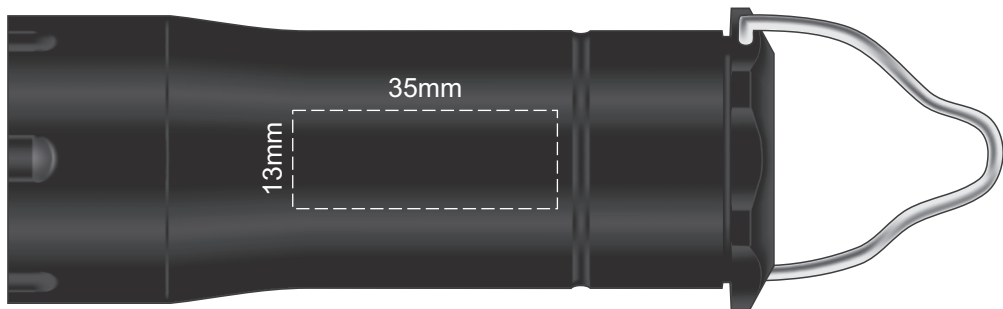


100% of Actual Size  
Pad Print



100% of Actual Size  
Laser Engraving



Engraves to an Oxidised White